

ULTRA VIOLET LED Lamp

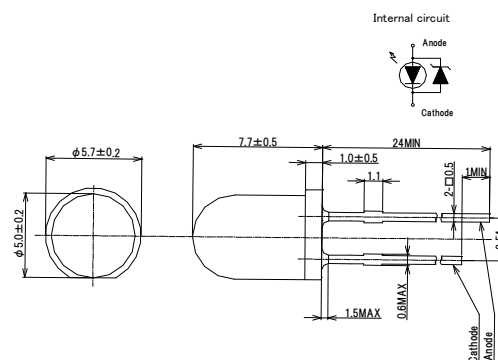
NS365L-5RLM NS375L-5RLM

(1) Absolute Maximum Ratings (Ta=25°C)

Item	Symbol	Maximum Rating	Unit
DC Forward Current	I_F	25	mA
Pulse Forward Current*	I_{FP}	100	mA
Reverse Current	I_R	85	mA
Power Dissipation	P_D	100	mW
Operating Temperature	T_{OPR}	-30 to +80	°C
Storage Temperature	T_{STG}	-30 to +85	°C
Soldering Temperature	T_{SOL}	260(within 10sec)	°C

* Conditions : Duty Cycle \leq 1/10, Pulse Width \leq 0.1msec

(3) Dimension (Unit : mm)



(2) Optical and Electrical Characteristics (Ta=25°C)

Item	Symbol	Condition	Min.	Typ.	Max.	Unit	
Forward Voltage	NS365L NS375L	V_F	$I_F=20\text{mA}$	3.2	3.6	4.2	V
Peak Wavelength*1	NS365L	λ_p	$I_F=20\text{mA}$	363	-	370	nm
	NS375L			375	-	380	
Full Width at Half Maximum	NS365L NS375L	$\Delta\lambda$	$I_F=20\text{mA}$	10	-	20	nm
Optical Output Power*2		P_o	$I_F=20\text{mA}$	Refer to Rank Information			mW

*1 Measurement error is $\pm 2\text{nm}$

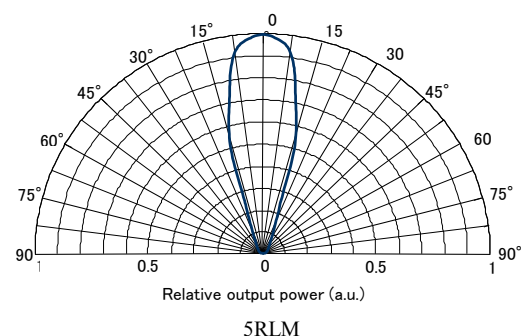
*2 Measurement error is $\pm 10\%$

Rank Information

Rank	Optical Output Power			NS365L	NS375L
	Min.	Typ.	Max.	5RLM	5RLM
6	1.8	-	2.4		
7	2.4	-	4.0	○	
8	4.0	-	6.0	○	
9	6.0	-	8.4		
10	8.4	-	11.0		
11	11.0	-	14.0		○
12	14.0	-	17.4		○

*3 Please contact us for availability.

(4) Directive Characteristics (Ta=25°C)



CAUTION

- LEDs emit very strong UV radiation.
- Don't look directly into the LED light. UV radiation can harm your eyes.
- To prevent even inadequate exposure, wear protective eyewear.
- If LEDs are embedded in devices, please indicate warning labels against the UV light LED used.
- Keep out of reach of children.

Specification and dimension are subject to change for improvement without notice.

NITRIDE
SEMICONDUCTORS
Co., Ltd.

NITRIDE SEMICONDUCTORS Co., Ltd.
115-7 Itayajima, Akinokami, Seto-cho,
Naruto-shi, Tokushima. 771-0360 JAPAN
TEL: +81-88-683-7750 FAX: +81-88-683-7751
URL: <http://www.nitride.co.jp> Mail: nitride@nitride.co.jp