

ULTRA VIOLET LED 5 × 5 HIGH-POWER MODULE

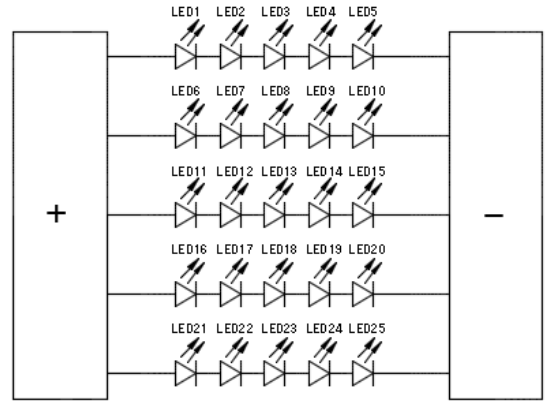
LS20170106

NS385M-55LR

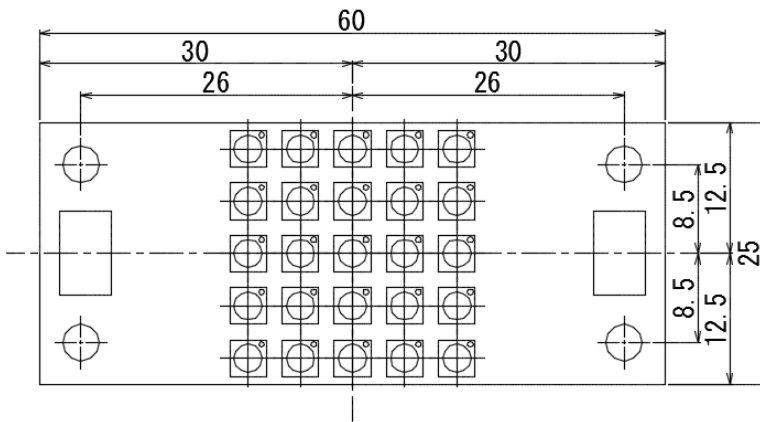
(1) Absolute Maximum Ratings

| Item | Symbol | Maximum Rating | Unit |
|-----------------------|-----------|----------------|------|
| DC Forward Current | I_F | 7.0 | A |
| Junction Temperature | T_j | 125 | °C |
| Operating Temperature | T_{OPR} | -10 to +60 | °C |
| Storage Temperature | T_{STG} | -40 to +100 | °C |

(2) Circuit Diagram



(3) Dimension (Unit : mm) Tolerance ± 0.2 mm



(4) Optical and Electrical Characteristics ($T_a=25^\circ\text{C}$, $RH=30\%$)

| Item | Symbol | Condition | Min. | Typ. | Max. | Unit |
|----------------------------|-----------------|-----------------|------|------|------|------|
| Forward Voltage*1 | V_F | $I_F=5\text{A}$ | - | 18.0 | - | V |
| Peak Wavelength*2 | λ_p | $I_F=5\text{A}$ | 380 | - | 390 | nm |
| Full Width at Half Maximum | $\Delta\lambda$ | $I_F=5\text{A}$ | - | 13 | - | nm |
| Optical Output Power *3 | P_o | $I_F=5\text{A}$ | - | 40.0 | - | W |

*1 Measurement error : $\pm 3\%$

*2 Measurement error : $\pm 3\text{nm}$

*3 Measurement error : $\pm 10\%$



CAUTION

- LEDs emit very strong UV radiation.
- Don't look directly into the LED light. UV radiation can harm your eyes.
- To prevent even inadequate exposure, wear protective eyewear.
- If LEDs are embedded in devices, please indicate warning labels against the UV light LED used.
- Keep out of reach of children.



INSTRUCTION FOR USE

Heat dissipation should be considered in the application design to avoid the environmental conditions for operation in excess of the absolute maximum ratings.

Specification and dimension are subject to change for improvement without notice.